

10242T-B4 Single Handle Recessed Shower Only Trim
10243T-B4 Single Handle Recessed Bath Shower Trim

BEFORE YOU BEGIN

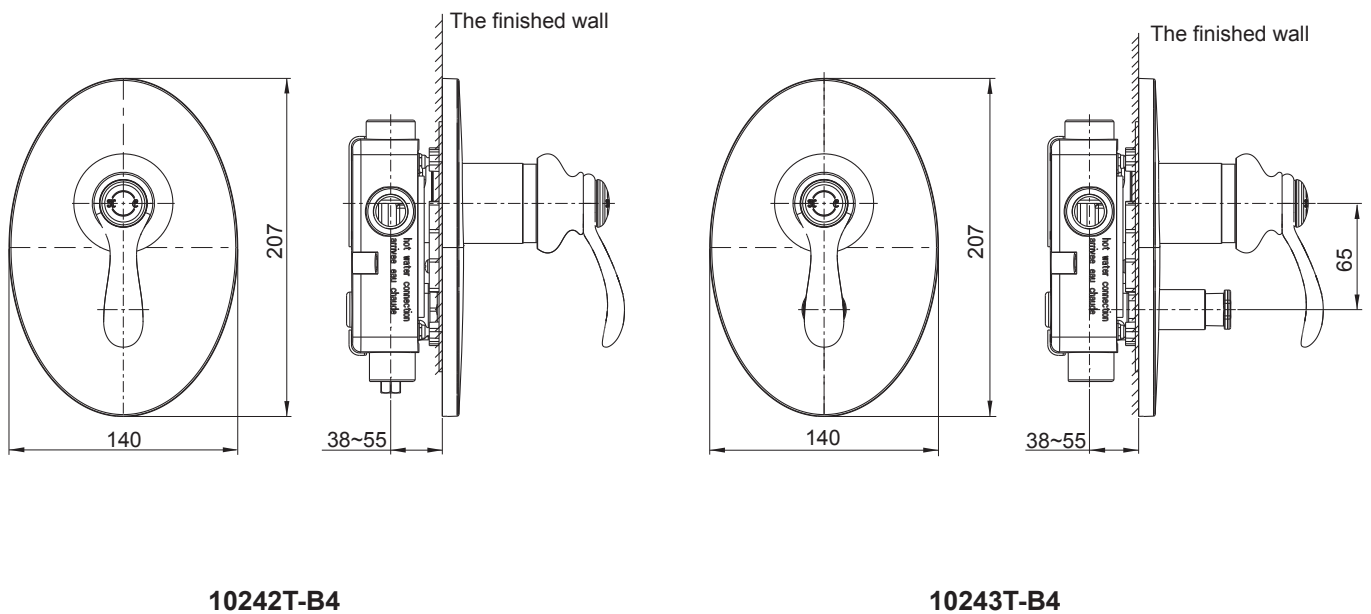
All information is based on the latest product information available at the time of publication. Kohler Co. reserves the right to make changes in product characteristics, packaging, or availability at any time without notice.

Please leave these instructions for the consumer. They contain important information.

NOTES:

1. Flush the water supply pipes thoroughly to remove debris.
2. Do not remove the plaster guard from the valve body until instructed to.
3. Install valve 880T according to the rough-in dimensions of 10242T-B4. Install valve 882T according to the rough-in dimensions of 10243T-B4.
4. These products contain natural jade material. Do not contact lipstick and other easy dyeing cosmetics.

ROUGH-IN DIMENSIONS

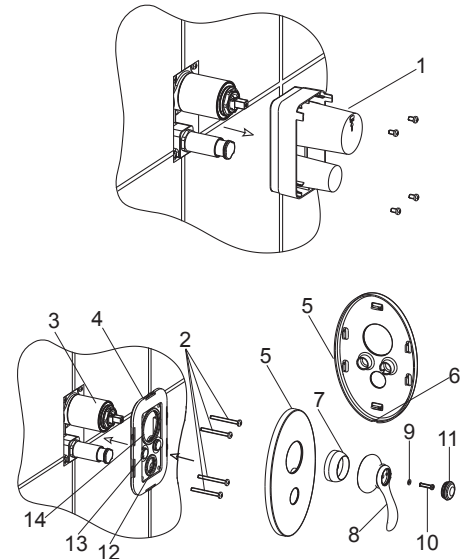


INSTALLATION

NOTE: Install valve 880T according to the rough-in dimensions of 10242T-B4, Install valve 882T according to the rough-in dimensions of 10243T-B4.

Remove the plastic guard(1) after completed the finished wall. Slide the cover kit(4) onto the valve(3) with the plugs(13) facing outside (**NOTE:** Don't squeeze out the rings 12,14). Push it against the wall. Secure it with the screws(2, length 50mm). Slide the faceplate(5) onto the valve with slot(6) downwards. Push it against the wall. Screw the bonnet(7) on the valve.

Install handle(8): Slide the washer(9) on the setscrew(10). Thread the setscrew into the hole on the top of the handle. The "Hot" mark faces the left.

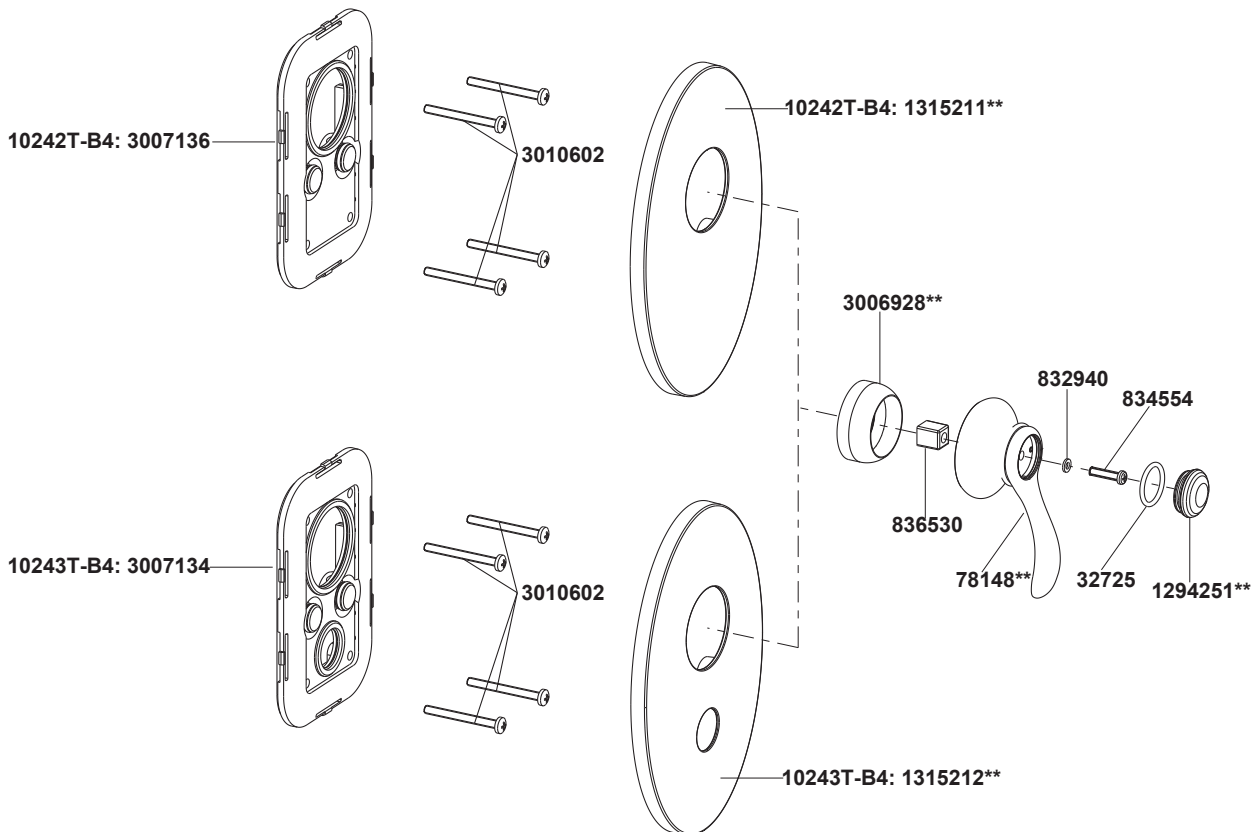


CLEANING INSTRUCTIONS

All Finishes: Clean the finish with mild soap and warm water. Wipe entire surface completely dry with clean soft cloth. Many cleaners may contain chemicals, such as ammonia, chlorine, toilet cleaner etc. which could adversely affect the finish and are not recommended for cleaning.

Do not use abrasive cleaners or solvents on Kohler faucets and fittings.

SERVICE PARTS



**Color code must be specified when ordering.

NOTE: For all Asia pacific regions (excluding China) add SP (SPxxxxxx**) in front of the part number when ordering.